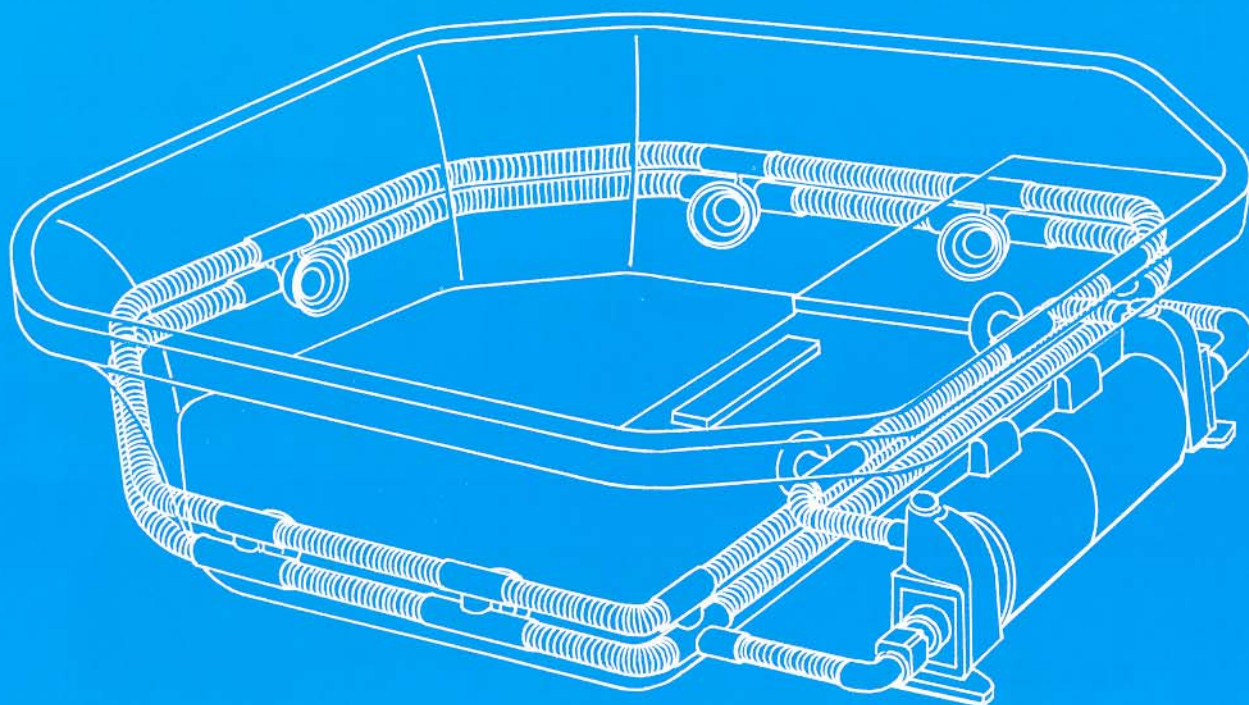


Kanaflex®

POOL & SPA HOSE

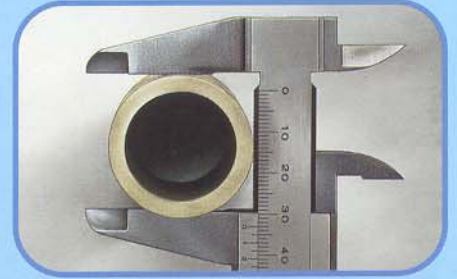


Flexible Kanaflex Pool and Spa Hose can eliminate the need for half the fittings used on your spas. This means you can reduce direct labor time and lower overall cost for assembly while actually improving the quality of the plumbing on your spas.

Kanaflex hose gives you one more big money saving feature . . . precise manufacturing tolerances. This means you get good joints and seals the first time, every time, eliminating re-working and/or on site callbacks and their expenses.

THE BEST HOSE TO DO THE JOB RIGHT!

- Water lines
- Air lines
- Pump lines
- Permanent installations
- Coupler installations
- Water filter lines



- *Precise manufacturing tolerances*
- *Available in 50' or 100' lengths*

SPECIFICATIONS:

SIZE	OUTSIDE DIAMETER Inches	WALL THICKNESS Inches	HELIX HEIGHT Inches	HELIX WIDTH Inches	PITCH (spacing) Inches	BENDING RADIUS Inches	WORKING PRESSURE 72°F - P.S.I.	BURSTING PRESSURE 72°F - P.S.I.	BURSTING PRESSURE 140°F - P.S.I.	WEIGHT Lbs./Ft.
1/2"	.840	.109	.10	.10	.22	3	100	355	180	.16
3/4"	1.050	.130	.10	.10	.22	3	100	355	180	.23
1"	1.315	.133	.10	.10	.28	3	100	355	180	.32
1 1/4"	1.660	.140	.12	.12	.30	4	80	250	125	.37
1 1/2"	1.900	.145	.13	.13	.30	4	65	200	100	.50
2"	2.375	.154	.14	.14	.34	5	60	175	90	.65

• For use with PVC solvent weld fittings only
• Temperature range is -13°F to 158°F

• Tolerance on outside diameter is +.020, -.005
• Vacuum rating on all sizes is 29.8 Hg@72°F

• Inside diameter is nominal